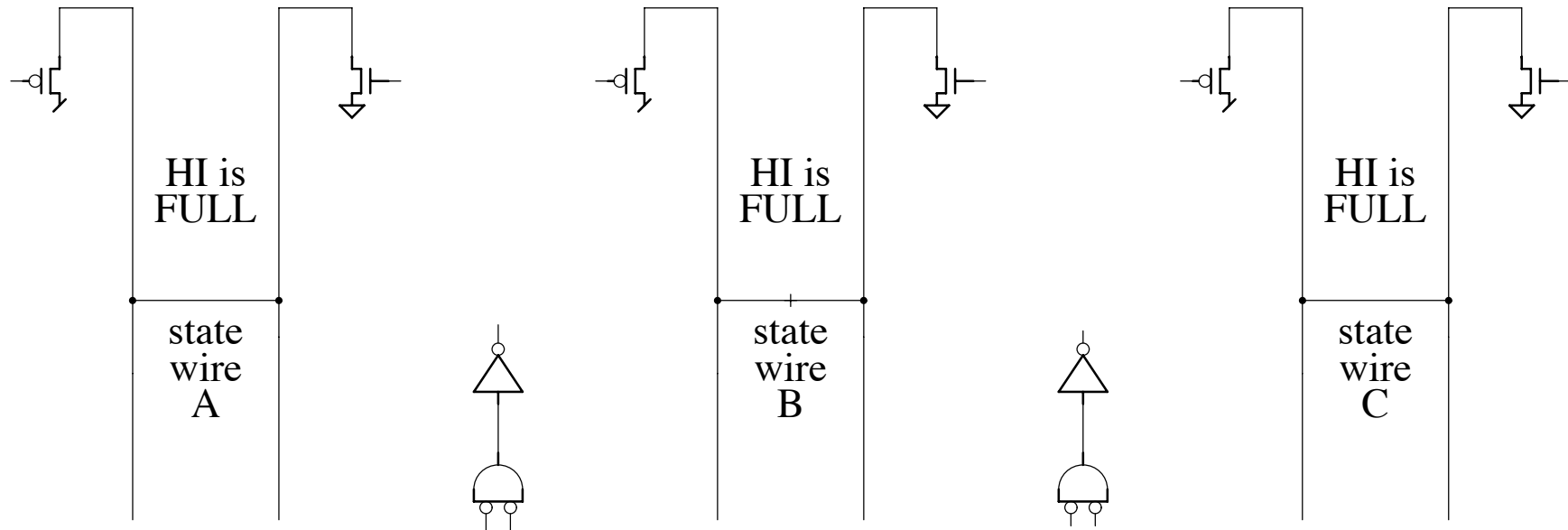
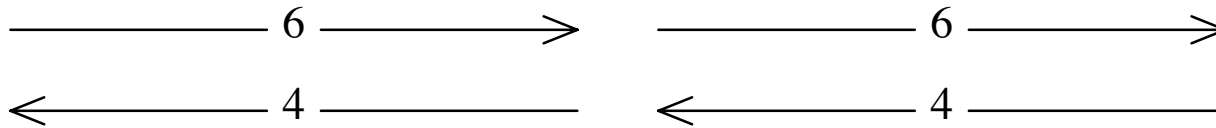


# twoStages-6/4

ies 30 November 2010

name \_\_\_\_\_

date \_\_\_\_\_



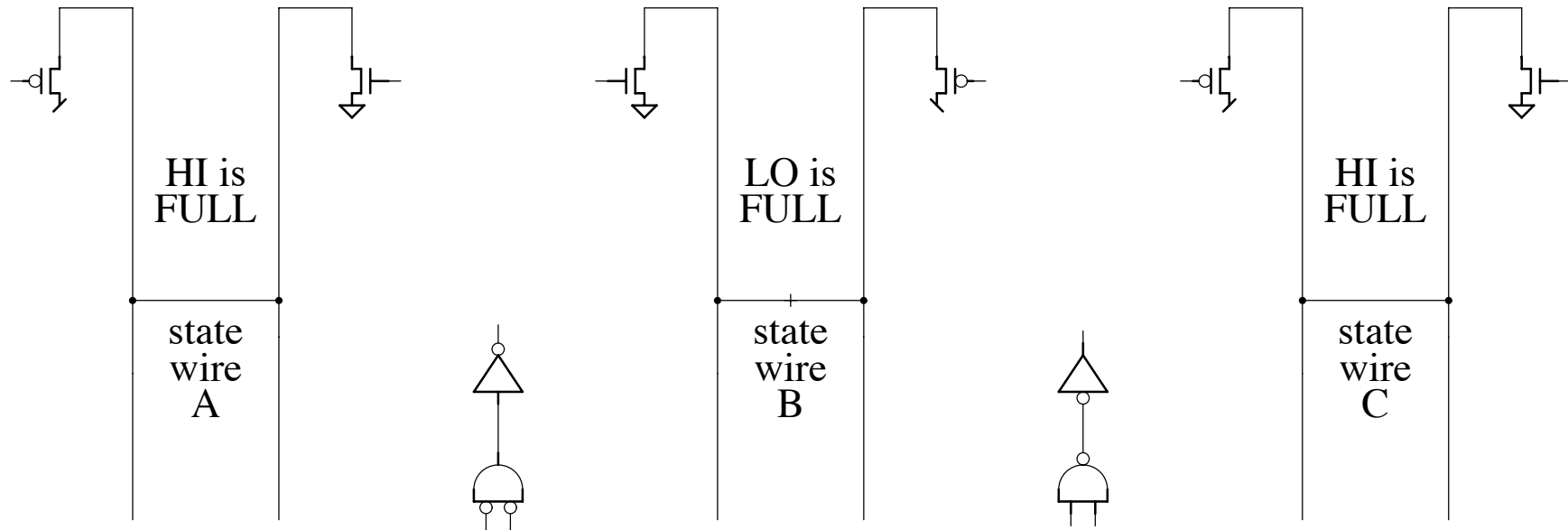
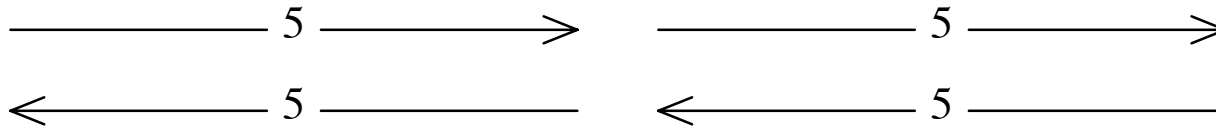
add wires, transistors and inverters to complete the two 6/4 stages

# twoStages-5/5

ies 30 November 2010

name \_\_\_\_\_

date \_\_\_\_\_



add wires, transistors and inverters to complete the two 5/5 stages